

FENDER MODEL

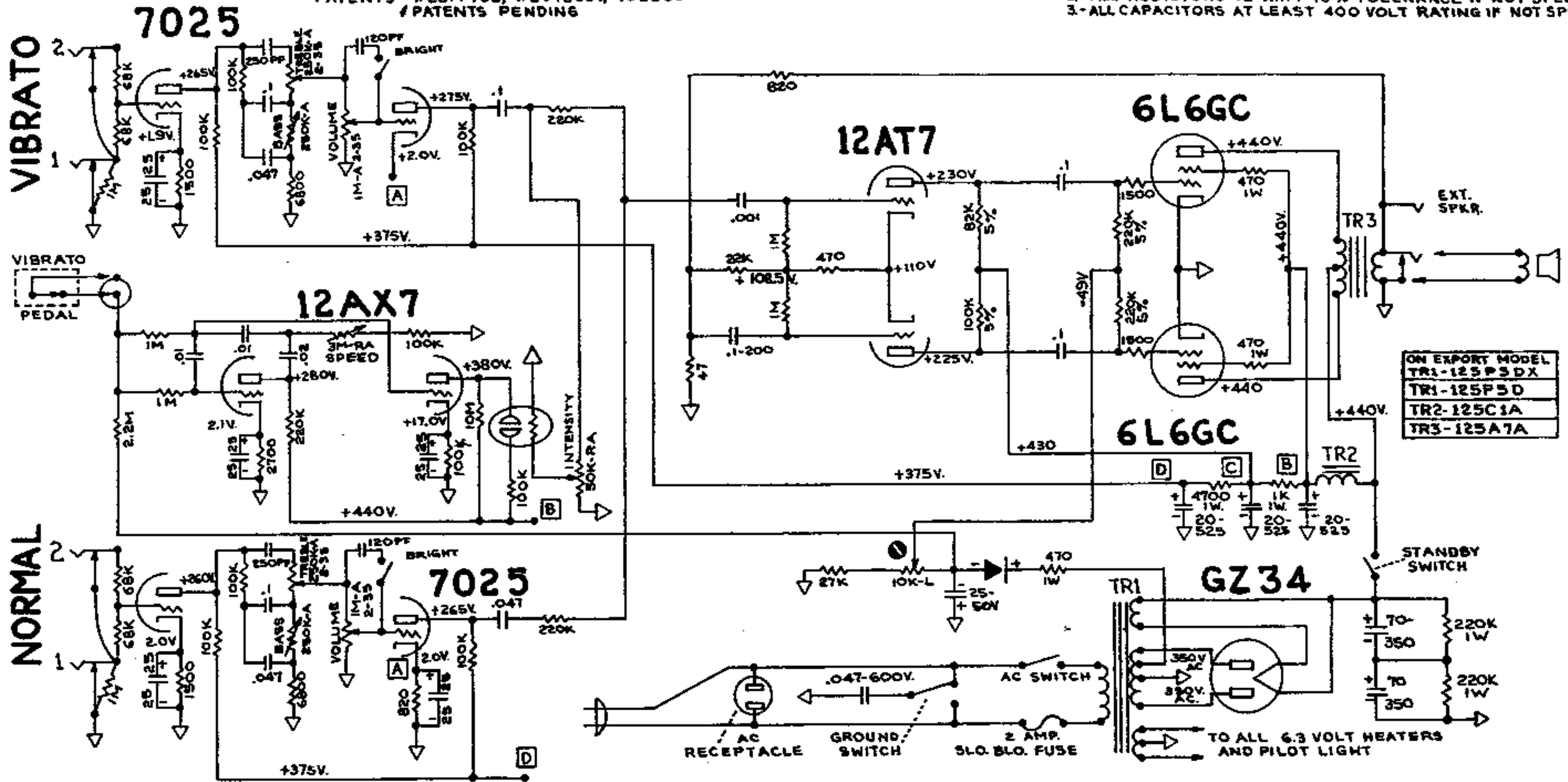
"PRO-AMP AB763" SCHEMATIC

NOTICE

THIS PRODUCT MANUFACTURED UNDER
ONE OR MORE OF THE FOLLOWING U.S.
PATENTS - #2817708, #2973681, 192859
/ PATENTS PENDING

C-FD

- 1.-VOLTAGES READ TO GROUND WITH ELECTRONIC
VOLTMETER. VALUES SHOWN +OR - 20%
- 2.-ALL RESISTORS 1/2 WATT 10% TOLERANCE IF NOT SPECIFIED.
- 3.-ALL CAPACITORS AT LEAST 400 VOLT RATING IF NOT SPECIFIED.



ON EXPORT MODEL
TR1-125P5D
TR2-125C1A
TR3-125A7A

FENDER ELECTRIC INSTRUMENT COMPANY
FULLERTON, CALIFORNIA
U.S.A.