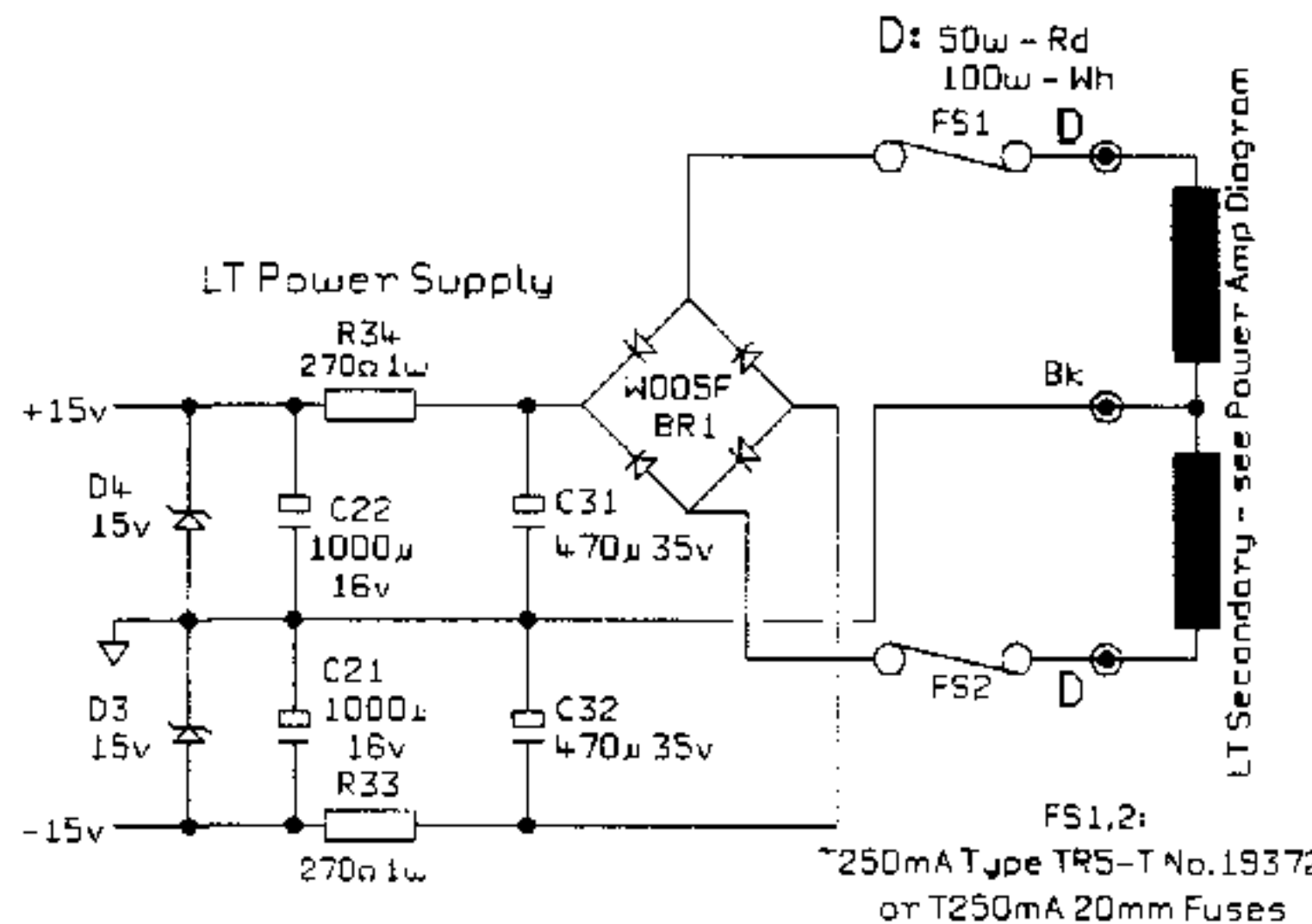
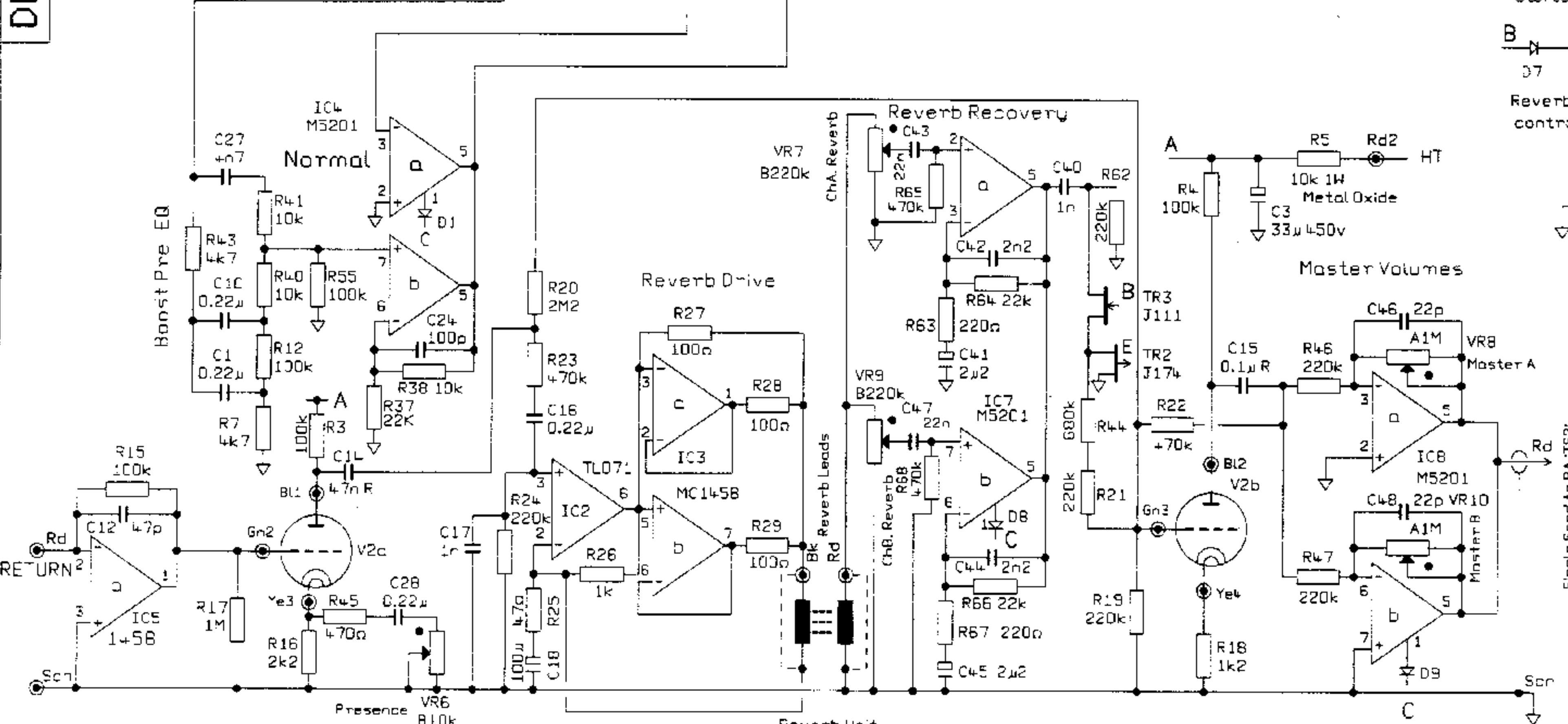
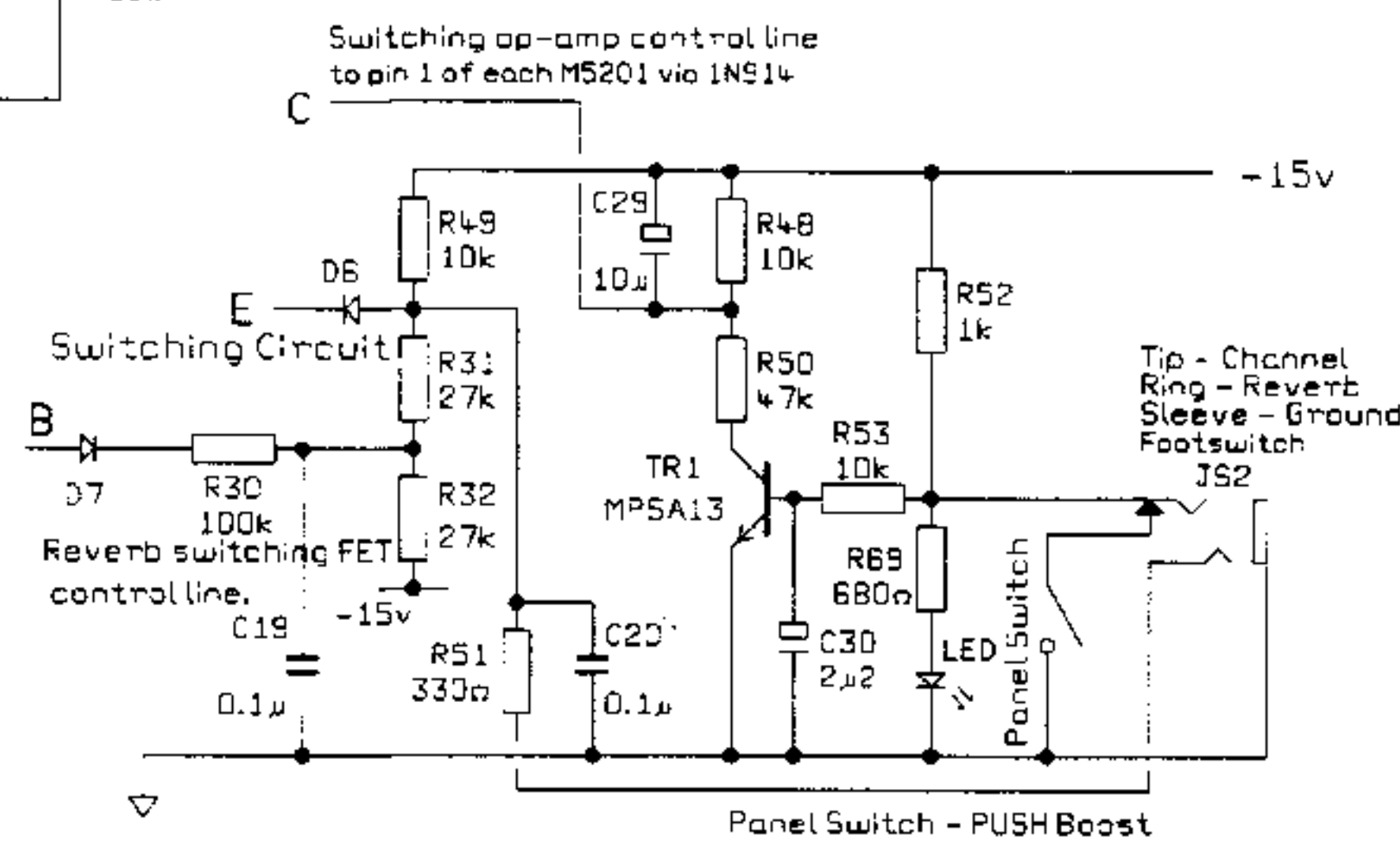
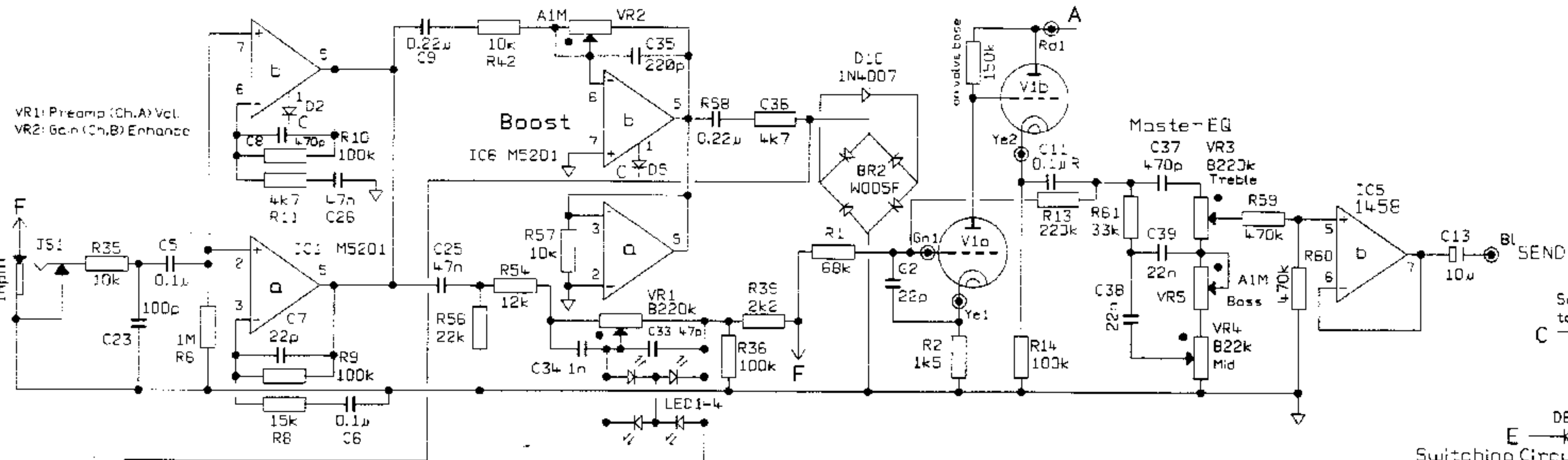


DWG.No: JMP52-02



- NOTES:
- All resistors 1/4w unless stated.
 - All non-elect. caps are 50v axial unless marked: D: Ceramic disk } High voltage R: MKT Radial
 - All zeners 500mW.
 - All unmarked diodes are 1N914.
 - IC supplies: All ICs but TL071, pin 8: +15v TL071, pin 7: +15v All ICs, pin 4: -15v
 - M5201 switching IC pins: Ctrn 1, B -ve, +, 2, 7 -, - 3, 6 -, -ve 4, 5 Dut
 - V1,2,3: ECC83.

REV	DESCRIPTION	DATE	BY	CHKD	DATE	APPROVED	MATERIAL	DIMENSIONS IN	TITLE
10	0596	14-4-94							
9	0455	24/02/94	A						
8	0306	28/7/93	B						
7	0349	A.G.	C						
6	18-9-90	SKB	D						
5	2-7-90	CPV	E						
4	11-4-90	CPV	F						
ISS	ECO NUMBER	DATE	G						

UNSPECIFIED HOLE DATA		MATERIAL		DIMENSIONS IN	
A	H	MATERIAL THICKNESS	TOLERANCE (UNLESS OTHERWISE STATED):		
B	J	INTERNAL BEND RADIUS	DIMENSIONAL		
C	K	EXTERNAL B/A	CENTRES		
D	L	BEND DIA	ANGULAR		
E	M	DRAWN CJRH	DATE 28/7/93		
F	N	CHECKED	DATE		
G	P	APPROVED	DATE		

		MARSHALL AMPLIFICATION PLC DENBIGH ROAD, BLETCHLEY, MILTON KEYNES, MK1 1DG. TEL (0298) 375611 FAX (0298) 375110	TITLE	
			PRE-AMP CCT	
COPYRIGHT EXISTS ON THIS DOCUMENT. IT MUST NOT BE USED FOR ANY PURPOSE THAN THAT FOR WHICH IT IS SUPPLIED AND MUST NOT BE COPIED, IN WHOLE OR IN PART, WITHOUT WRITTEN PERMISSION FROM MARSHALL.		DWG.No	ISSUE	
4100/4500		JMP52-02	10	