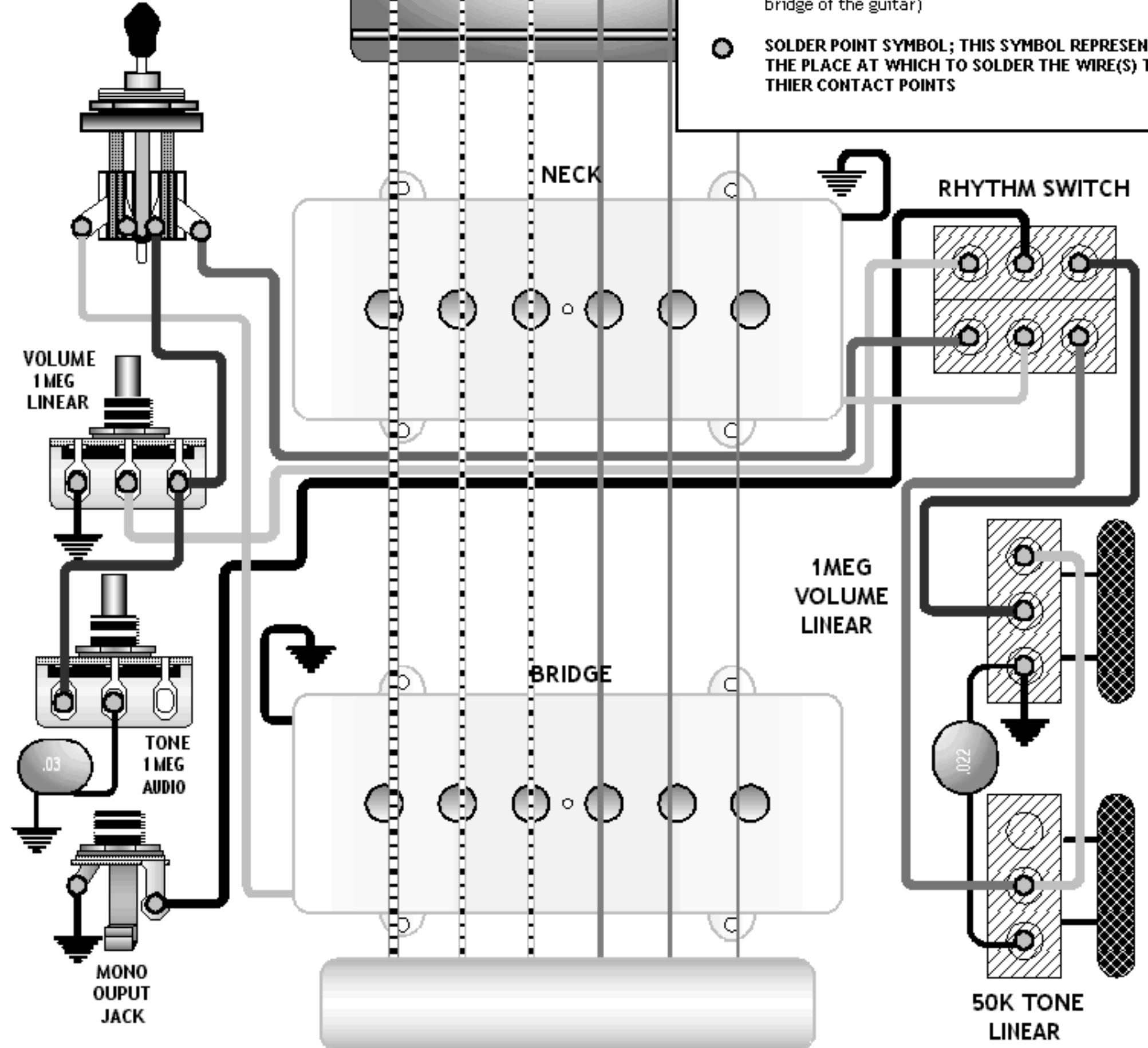


GROUND SYMBOL; ANY TIME YOU SEE THIS SYMBOL ATTACHED TO A WIRE, THAT WIRE NEEDS TO BE SOLDERED TO GROUND (Ground points are usually soldered to the back of the volume or tone pots or to any central ground point on the guitar; The central ground usually comes from a wire attached to the bridge of the guitar)

SOLDER POINT SYMBOL; THIS SYMBOL REPRESENTS THE PLACE AT WHICH TO SOLDER THE WIRE(S) TO THEIR CONTACT POINTS



JAZZMASTER

JAZZMASTER IS REGISTERED TRADEMARK OF FENDER™ MUSICAL INSTRUMENTS

