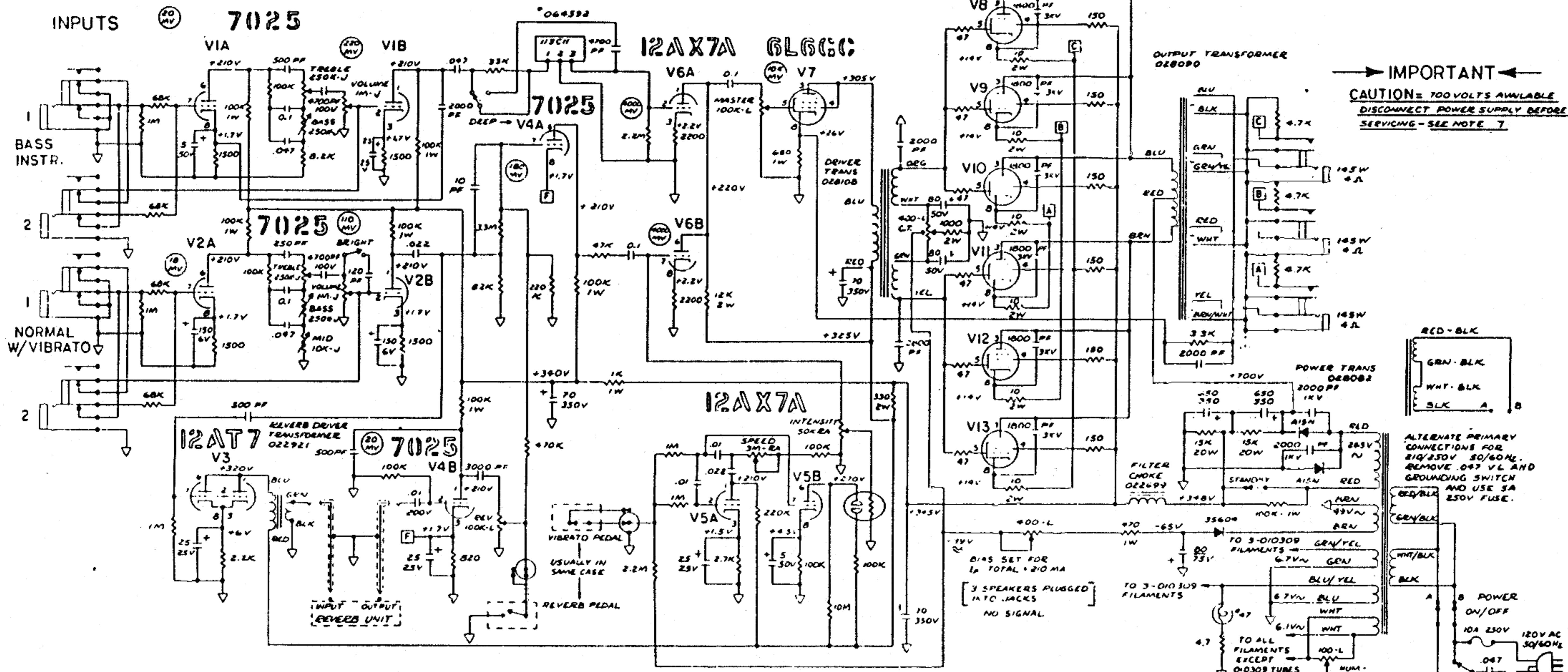


010309 (3)



7. BEFORE ATTEMPTING ANY SERVICING INSIDE CHASSIS BE SURE TO ALLOW AT LEAST 45 SECONDS AFTER POWER IS DISCONNECTED, FOR BLEEDERS TO REDUCE VOLTAGE, THEN TO BE MORE CERTAIN DISCHARGE EACH 650 MF CAPACITOR.
 8. (MV) DENOTES MV AT 500HZ FOR 445 WATTS OUTPUT (CONTROLS MAX).
 9. B+ AT 445 WATTS OUTPUT IS 650 VOLTS AND 320 VOLTS RESPECTIVELY.
 10. ALL CAPACITORS ARE IN MICROFARADS. 600V MIN.
 11. DC VOLTAGES READ TO CHASSIS WITH NO SPEAKERS CONNECTED (VIBRATO ON).
 12. ALL RESISTORS IN OHMS, 10%, 1/2 WATT, ALLEN BRADLEY.
 13. SAMPLES OF FIRST ARTICLE PARTS MUST BE APPROVED BY CBS ENGINEERING BEFORE STARTING PRODUCTION.
- NOTES UNLESS OTHERWISE SPECIFIED

THE 010309 TUBES ARE SPECIAL DESIGN AND SELECTED TUNGSOIL 6550 TUBES

-400 PS-