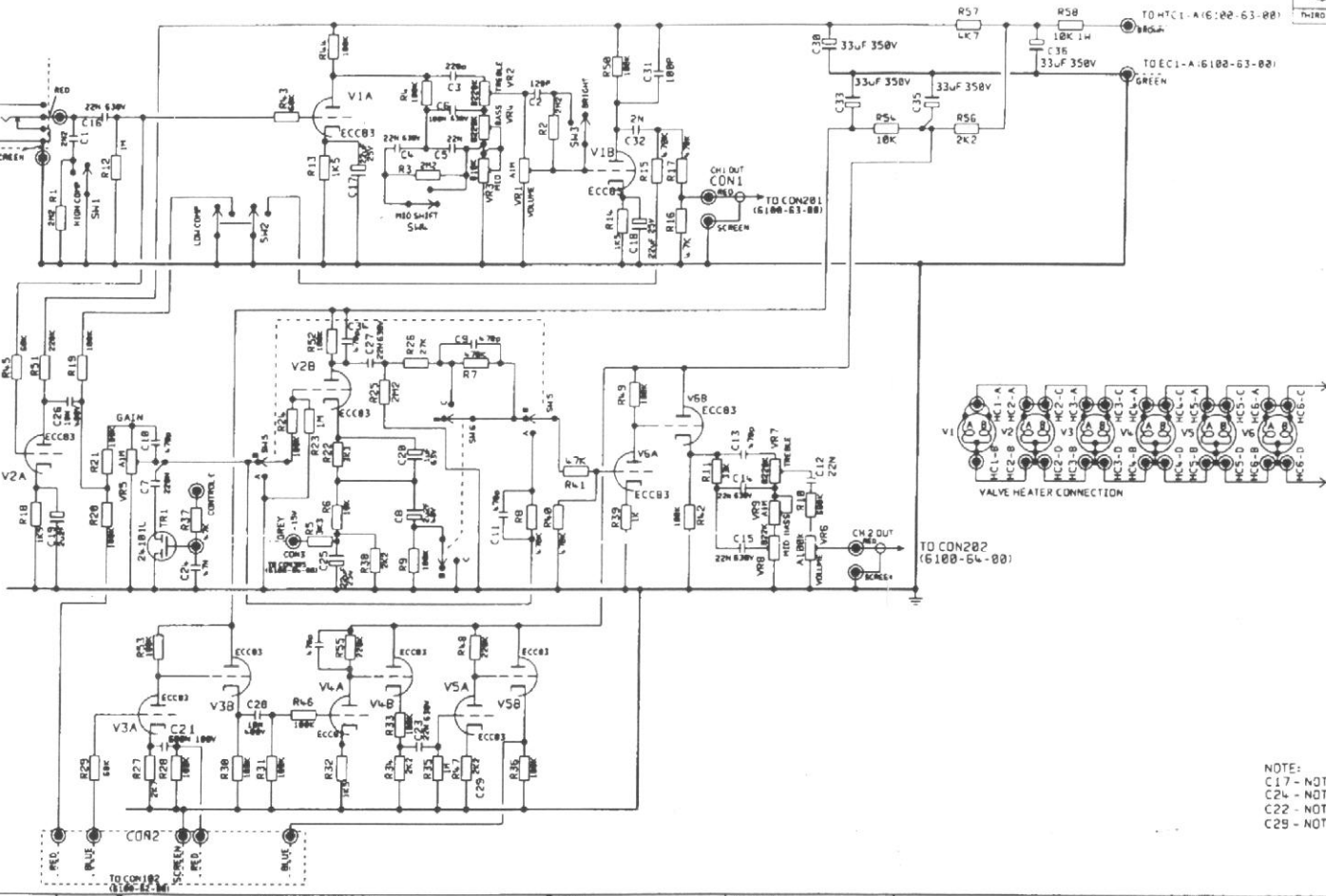


DWG.No. 6100-61-04

JACK SOCKET
INPUT



THIRD ANGLE PROJECTION



NOTE:
C17 - NOT FITTED
C24 - NOT FITTED
C22 - NOT FITTED
C29 - NOT FITTED

UNSPECIFIED HOLE DATA

	A	B	C	D	E	F	G	H
1	0258	21/03/92						
3	0249	15/07/92						
2	0215	26/05/92						
1	RELEASED	15/05/92						
ISS	ECD NUMBER	DATE						

MATERIAL		DIMENSIONS IN	
INTERNAL FINISHES	TOLERANCE UNLESS OTHERWISE STATED:		
EXTERNAL FINISHES			
EXTERNAL DIA			
HEAD DIA			
DRILL T.P.	DATE	15/05/92	
CHECKED	DATE		
APPROVED	DATE		

DIMENSIONS IN	
TOLERANCE UNLESS OTHERWISE STATED:	
INTERNAL FINISHES	
EXTERNAL FINISHES	
EXTERNAL DIA	
HEAD DIA	
DRILL T.P.	DATE
CHECKED	DATE
APPROVED	DATE

Marshall

Copyright © 1992 Marshall Electronics Ltd. All rights reserved. No part of this publication may be reproduced without the prior written permission of Marshall Electronics Ltd.

6100/6101

TITLE		A3	
CLEAN/CRUNCH CCT			
DWG.No	6100-61-04	ISSUE	4