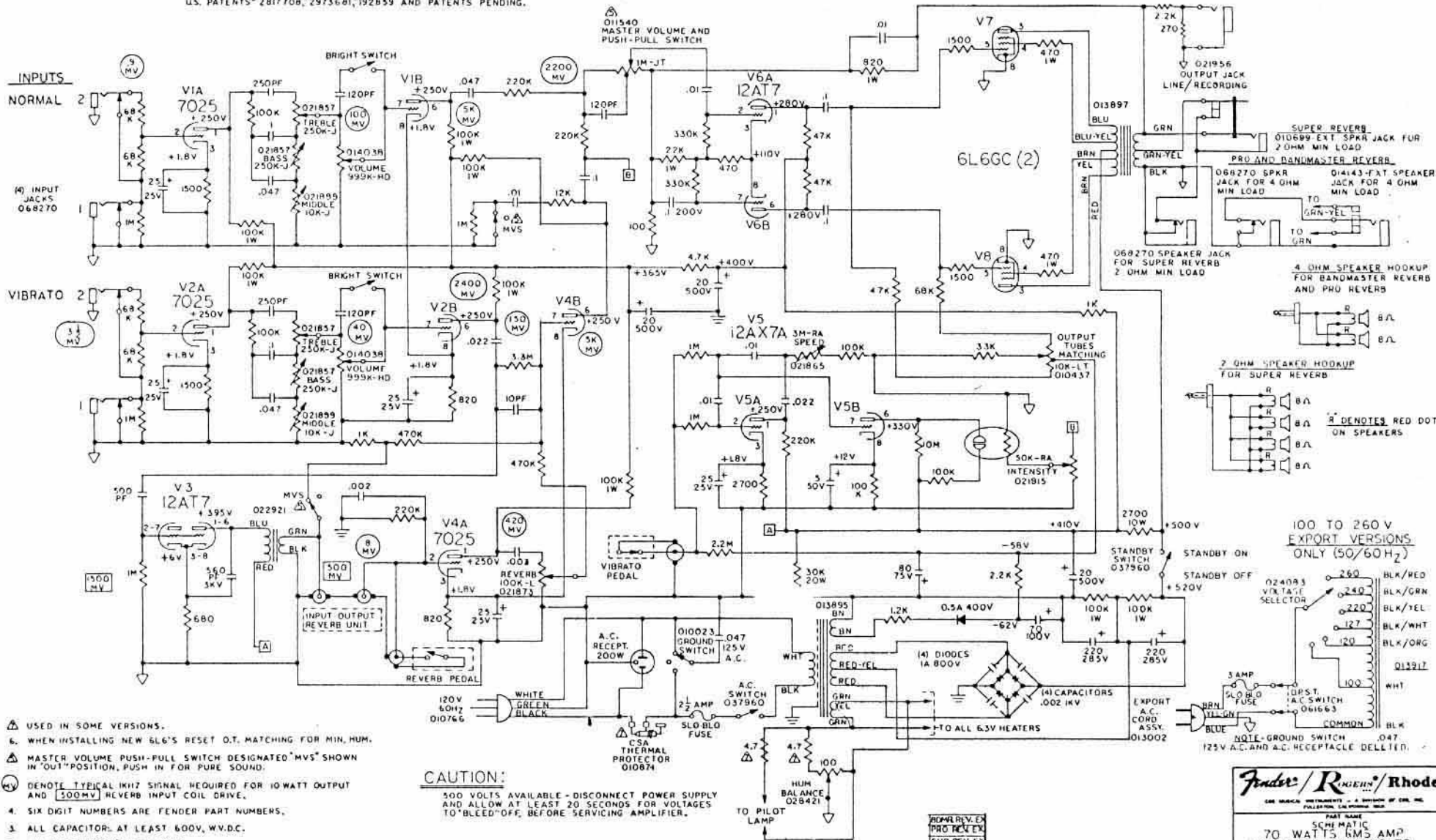


THIS PRODUCT MANUFACTURED UNDER ONE OR MORE OF THE FOLLOWING U.S. PATENTS *281708, *2973681, *92859 AND PATENTS PENDING.



△ USED IN SOME VERSIONS.

6. WHEN INSTALLING NEW 6L6'S RESET O.T. MATCHING FOR MIN. HUM.

△ MASTER VOLUME PUSH-PULL SWITCH DESIGNATED "MVS" SHOWN IN "OUT" POSITION, PUSH IN FOR PURE SOUND.

▽ DENOTE TYPICAL 1KHZ SIGNAL REQUIRED FOR 10WATT OUTPUT AND 300MV REVERB INPUT COIL DRIVE.

4. SIX DIGIT NUMBERS ARE FENDER PART NUMBERS.

3. ALL CAPACITOR: AT LEAST 600V, WV.D.C.

2. ALL RESISTORS 1/2 WATT ±10%.

1. VOLTAGES READ TO GROUND WITH V.T.V.M. NO SIGNAL. V5 (ONLY)

VOLTAGES READ WITH SPEED & INTENSITY MAX. & VIBRATO ON.

CAUTION:

500 VOLTS AVAILABLE - DISCONNECT POWER SUPPLY AND ALLOW AT LEAST 20 SECONDS FOR VOLTAGES TO "BLEED-OFF" BEFORE SERVICING AMPLIFIER.

NOTES: UNLESS OTHERWISE SPECIFIED

100% REV. EX
PRO REC EX
SUP REV EX
BOME REV
BRO TR REV
SUP B REV

Fender/Rhodes/Rhodes
THE MUSIC INSTRUMENTS - A DIVISION OF CBS INC.
 FULLERTON, CALIFORNIA 92630

SCH MATIC
 70 WATTS 6MS AMP
 W/REVRB AND VIBRATO

PART NO. 013898 REV 4