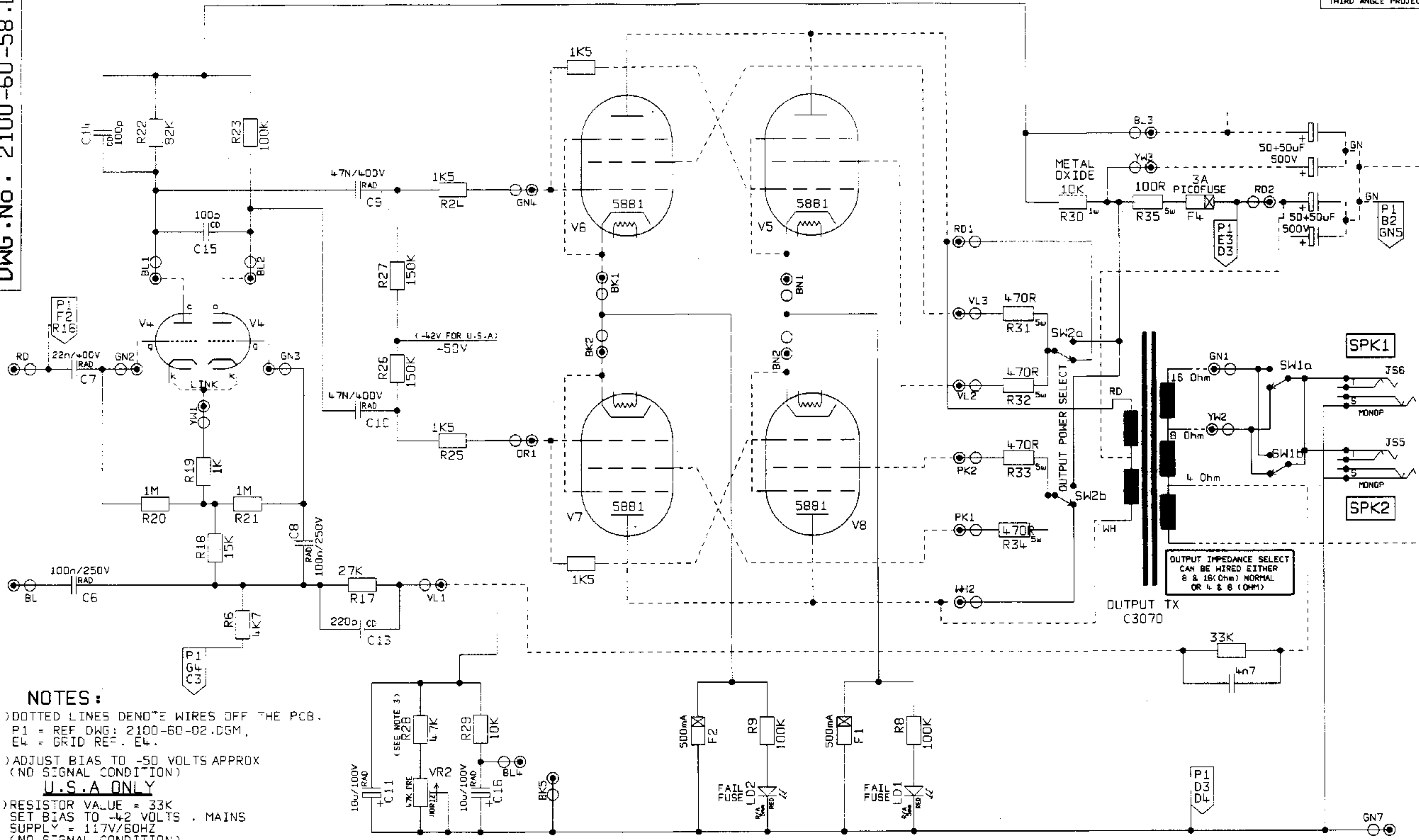
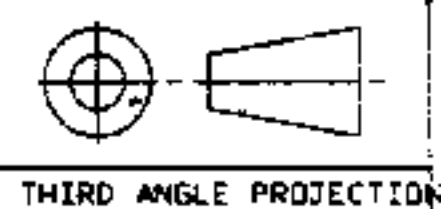
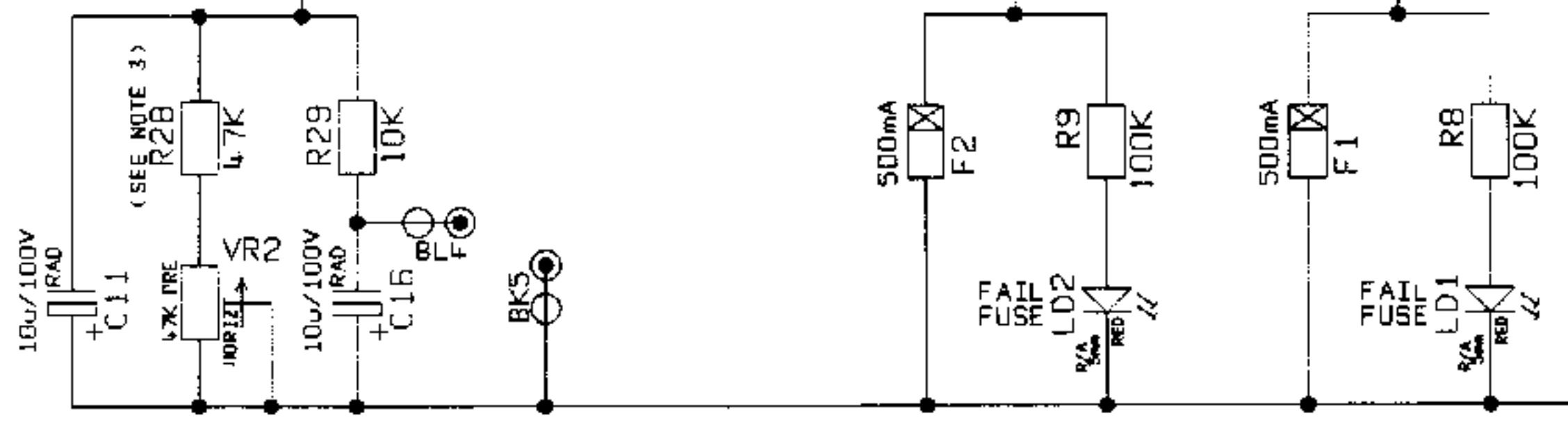


5881 VALVE TYPE



NOTES :

- 1) DOTTED LINES DENOTE WIRES OFF THE PCB.
P1 = REF DWG: 2100-60-02.DGM,
E4 = GRID REF. E4.
- 2) ADJUST BIAS TO -50 VOLTS APPROX
(NO SIGNAL CONDITION)
U.S.A ONLY
- 3) RESISTOR VALUE = 33K
SET BIAS TO -42 VOLTS . MAINS
SUPPLY = 117V/60HZ
(NO SIGNAL CONDITION)



9	0868	12/4/95	
8	0688	17-11-94	A
7	0707	24/08/94	B
5	0444	8-11-93	C
4	0435	19-10-93	D
3	0408	24-8-93	E
2	0394	6-8-93	F
ISS	ECO NUMBER	DATE	G

UNSPECIFIED HOLE DATA	
	H
	J
	K
	L
	M
	N
	P

MATERIAL	
MATERIAL THICKNESS	
INTERNAL BEND RADII	
EXTERNAL B/A	
BEND DIE	
DRAWN	CJR
DATE	29/6/93
CHECKED	KSM
DATE	3 5 95
APPROVED	
DATE	

DIMENSIONS IN	
TOLERANCE (UNLESS OTHERWISE STATED)	
DIMENSIONAL	
CENTRES	
ANGULAR	
MODEL	2100SL-X
	5881 VALVE TYPE

Marshall

COPYRIGHT EXISTS ON THIS DOCUMENT. IT MUST NOT BE USED FOR ANY PURPOSE
OTHER THAN THAT FOR WHICH IT IS SUPPLIED AND MUST NOT BE REPRODUCED
OR IN PART) WITHOUT WRITTEN PERMISSION FROM
MARSHALL AMPLIFICATION PLC
GERRISH ROAD, BLETCHLEY, MILTON KEYNES, MK1 1JG.
TEL (0800) 375411 FAX (0800) 376118

TITLE	POWER AMP CCT
DWG.No	2100-60-58.DGM
ISSUE	9
(was 2100-60-02.dgm Page 2)	